

The BTADC1 Audio Distribution Controller forms a means of buffering and distributing stereo audio signals to other FM Broadcast transmitter equipment. The unit is housed in a 19-inch rack mount case occupying only a 1U space.

The BTADC1 Audio Distribution Controller offers a standard specification, well above the requirements of major broadcasters in the world. This level of performance is only found in the very best equipment the market has to offer.

The BTADC1 Audio Distribution Controller provides stereo audio distribution of 2 stereo audio (L & R) inputs (main and standby) to three stereo audio outputs. Control logic is included to switch the input from the main stereo audio input to the back-up stereo input, which switches on silence sense detection on the main input.

The silence sense audio input level detection and the time duration for switching function to occur can be set internal to meet the users requirement.

The BTADC1 includes telemetry for controlling the changeover remotely and also for remote monitoring. This function is useful for remote reporting of input audio failure.



BTADC-1 Audio Distribution Controller

Features

19" Rack mounted unit (1U).

XLR (balanced) stereo inputs and outputs (Left and Right).

Remote/Internal channel selection (standard).

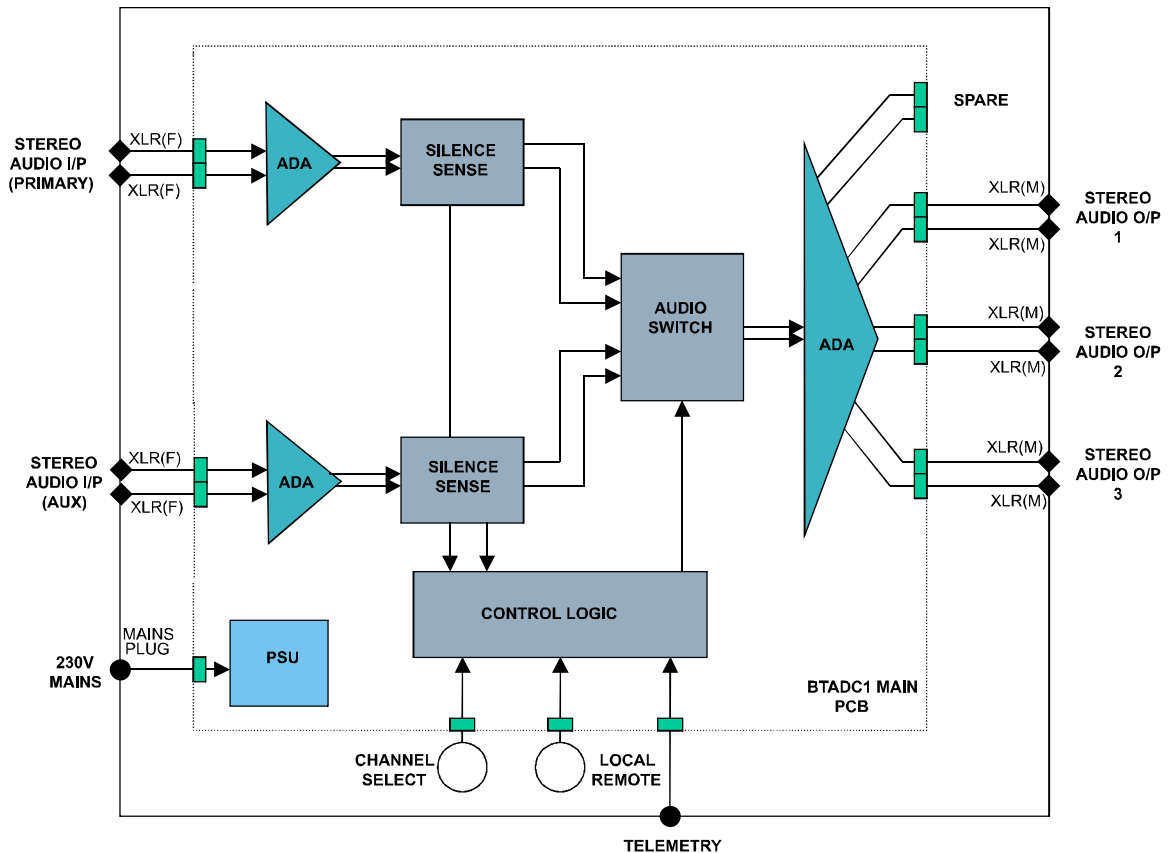
Auto changeover from main to standby input on silence sense

Remote telemetry with voltage free contacts (standard).

Silence sense indicators on Front panel.

TECHNICAL SPECIFICATIONS

| PARAMETER | SPECIFICATION | COMMENT |
|-------------------------------------|----------------------------|-------------------------------|
| GENERAL AUDIO SPECIFICATIONS | | |
| Amplitude Response | +/-0.25dB | 30Hz-15kHz |
| Added Distortion | ≤0.05% | 30Hz-15kHz |
| CrossTalk | ≤60dB | 30Hz-15kHz |
| Input Impedance | 600 Ohms | Balanced |
| Output Impedance | ≤30 Ohms | Balanced |
| CH1/CH2 Timers | 5,10,20,30 Seconds nom. | Internally selectable SW1/SW2 |
| Recovery Timer | 5,10,20,30 Seconds nom | Internally selectable SW3 |
| Input Overload | 20dBm | Max. level before clipping |
| POWER SUPPLY | | |
| AC Power Input | 230V or 110V (optional) | |
| AC Frequency Variation | 50 - 60 Hz | |
| Power Consumption | +/- 20VA | |
| ENVIRONMENTAL | | |
| Storage temperature | -40 to +60 °C | |
| Operating temperature | -10 to +45 °C | |
| Operating altitude | <2500 metres | |
| Humidity | 20 to 90% (non condensing) | |
| PHYSICAL | | |
| Dimensions (mm) | 455W x 220D x 44.45H (1U) | |
| Weight | 3kg | |



BTADC1 AUDIO DISTRIBUTION CONTROLLER SCHEMATIC DIAGRAM