

The ADU-1 Audio Distribution Amplifier forms a means of buffering and distributing stereo audio signals to other FM Broadcast transmitter equipment. The unit is housed in a 19-inch rack mount case occupying only a 1U space.

The ADU-1 Audio Distribution Amplifier offers a standard specification, well above the requirements of major broadcasters in the world. This level of performance is only found in the very best equipment the market has to offer.

The ADU-1 Audio Distribution Amplifier provides stereo audio distribution of one stereo audio (L & R) input to four stereo audio outputs. The level of the Stereo Audio inputs is adjustable (+6dBm) from the front panel of the unit

The ADU-1 includes silence sense audio input level detection which is displayed on the front panel and can assist in detecting loss of audio signal input to the system.



ADU-1 Audio Distribution Amplifier

Features

19" Rack mounted unit (1U).

Standard Version (XLR) L & R (Balanced) Input.

Front panel Audio Level adjustment.

Silence sense indicators on Front panel.

4 x Stereo Audio Outputs

TECHNICAL SPECIFICATIONS

PARAMETER	SPECIFICATION
-----------	---------------

AUDIO DISTRIBUTION SECTION

AF Inputs (XLR)	Balanced
AF Input level (Maximum)	+18dBm
Maximum gain	+6dB
User selectable input impedances	600 ohms or 100k ohms
Silence sense indicators	Red Leds/Front panel.

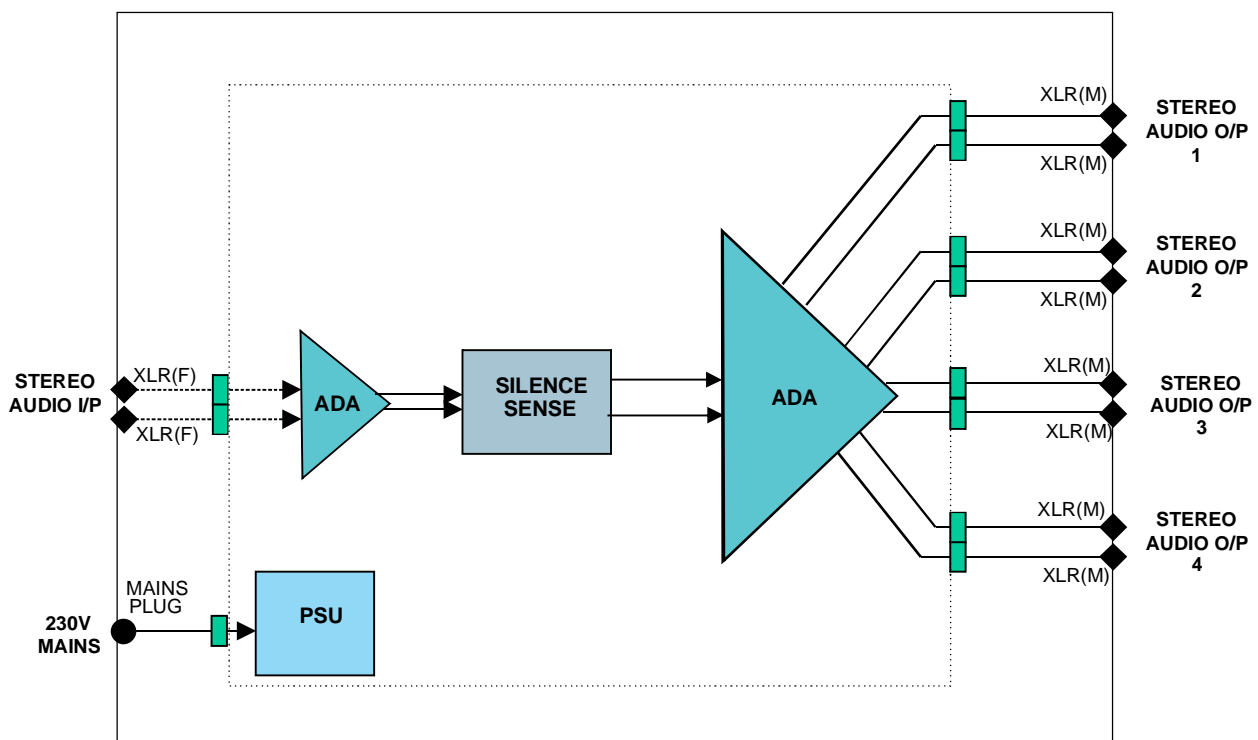
AUDIO DISTRIBUTION SECTION

Tested at + 10dBm audio input/output levels.

S/N at AF outputs	≥80dB (Filtered 20Hz-20kHz)
Audio Response at AF outputs	≤0.1dB (30Hz - 20kHz)
Harmonic Distortion at AF outputs	≤0.1% (30Hz - 20kHz)
AF Outputs (Left and Right)	XLR 600 Ohm balanced

POWER SUPPLY

AC Power Input	230V (+/-15%) or 110V (optional)
AC Frequency Variation	50 - 60 Hz
Power Consumption	approximately 8W
Storage temperature	-40 to +60 °C
Operating temperature	0 to +45 °C
Operating altitude	<2500 metres
Relative Humidity	20 to 90% (non condensing)
Dimensions (mm)	455W x 220D x 44.45H (1U)
Weight	3kg



ADU-1 STEREO AUDIO DISTRIBUTION UNIT SCHEMATIC DIAGRAM