

The MPX SU-1 unit forms a means of buffering and distributing stereo multiplex signals to other FM Broadcast transmitter equipment. The unit is housed in a 19-inch rack mount case occupying only a 1U space.

The MPX SU-1 unit offers a standard specification, well above the requirements of broadcasters in the world. This level of performance is only found in the very best equipment the market has to offer.

The MPX SU-1 unit provides stereo multiplex distribution of 2 inputs (main and standby) to three separate stereo multiplex outputs. Control logic is included to switch the input from the main stereo multiplex input to the back-up stereo multiplex input, which switches on silence sensing on the main input.

The MPX SU-1 includes telemetry for controlling the changeover remotely and also for remote monitoring

The silence sense audio input level detection and the time duration for switching function to occur can be set internal to meet the users requirement.

The MPX SU-1 includes telemetry for controlling the changeover remotely and also for remote monitoring. This function is useful for remote reporting of input audio failure.



*MPX SU-1 MPX Distribution Controller*

## Features

---

19" Rack mounted unit (1U).

---

BNC (Un-balanced) MPX inputs and outputs

---

Remote/Internal channel selection (standard).

---

Auto changeover from main to standby input on silence sense

---

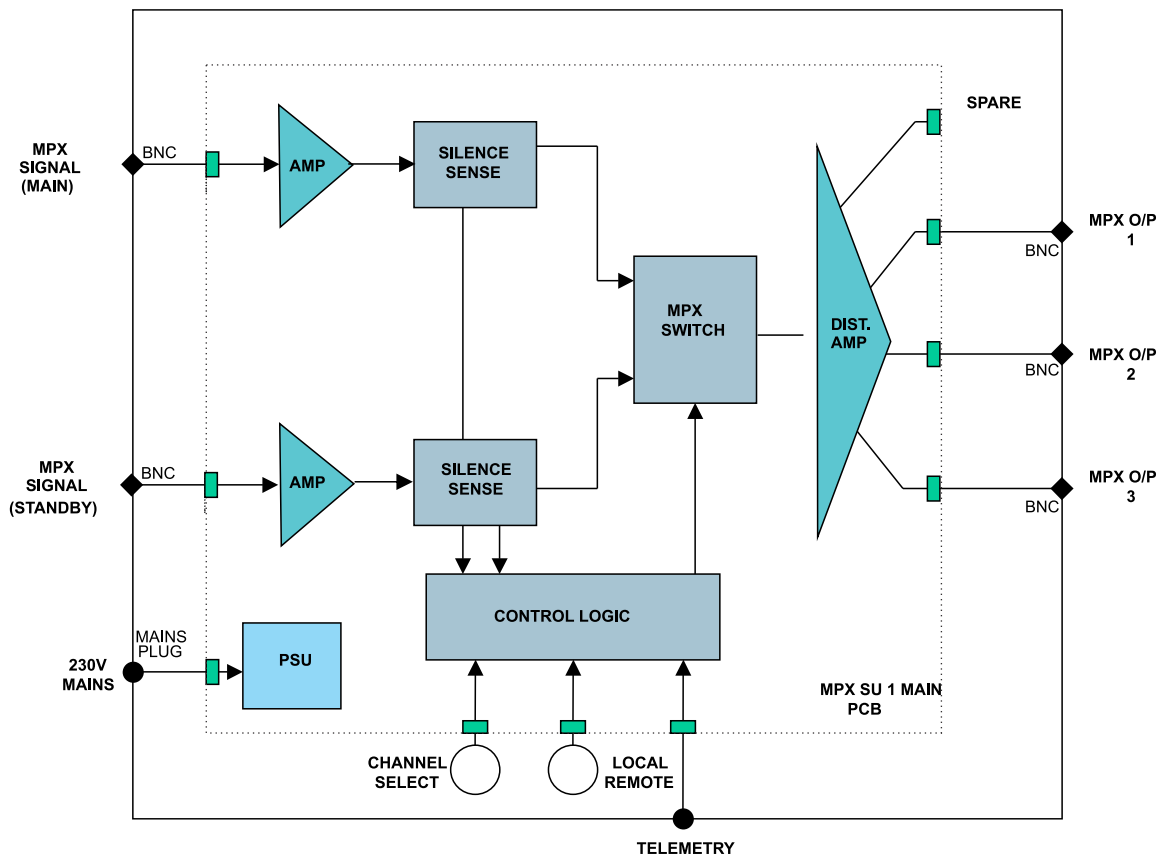
Remote telemetry with voltage free contacts (standard).

---

Program Loss indicators on Front panel.

# TECHNICAL SPECIFICATIONS

PARAMETER	SPECIFICATION	COMMENT
<b>GENERAL AUDIO SPECIFICATIONS</b>		
Amplitude Response	+/-0.25dB	1Hz-100kHz
Added Distortion	≤0.05%	30Hz-15kHz Decoded
Stereo Separation	≤50dB	30Hz-15kHz Decoded
Input Impedance	10kOhms	Balanced
Output Impedance	≤30 Ohms	Un-balanced
CH1/CH2 Timers	5,10,20,30 Seconds nom.	Internally selectable SW1/SW2
Recovery Timer	5,10,20,30 Seconds nom.	Internally selectable SW3
Input Overload	15dBm	Max. level before clipping
Silence Sense Levels	20mV to 200mV	Internally Adjusted
Level Adjustment	+/-2dBm	Internally Adjusted
<b>POWER SUPPLY</b>		
AC Power Input	230V or 110V (optional)	
AC Frequency Variation	50 - 60 Hz	
Power Consumption	+/- 20VA	
<b>ENVIRONMENTAL</b>		
Storage temperature	-40 to +60 °C	
Operating temperature	-10 to +45 °C	
Operating altitude	<2500 metres	
Humidity	20 to 90% (non condensing)	
<b>PHYSICAL</b>		
Dimensions (mm)	455W x 220D x 44.45H (1U)	
Weight	3kg	



**MPX SU-1 MPX DISTRIBUTION CONTROLLER SCHEMATIC DIAGRAM**